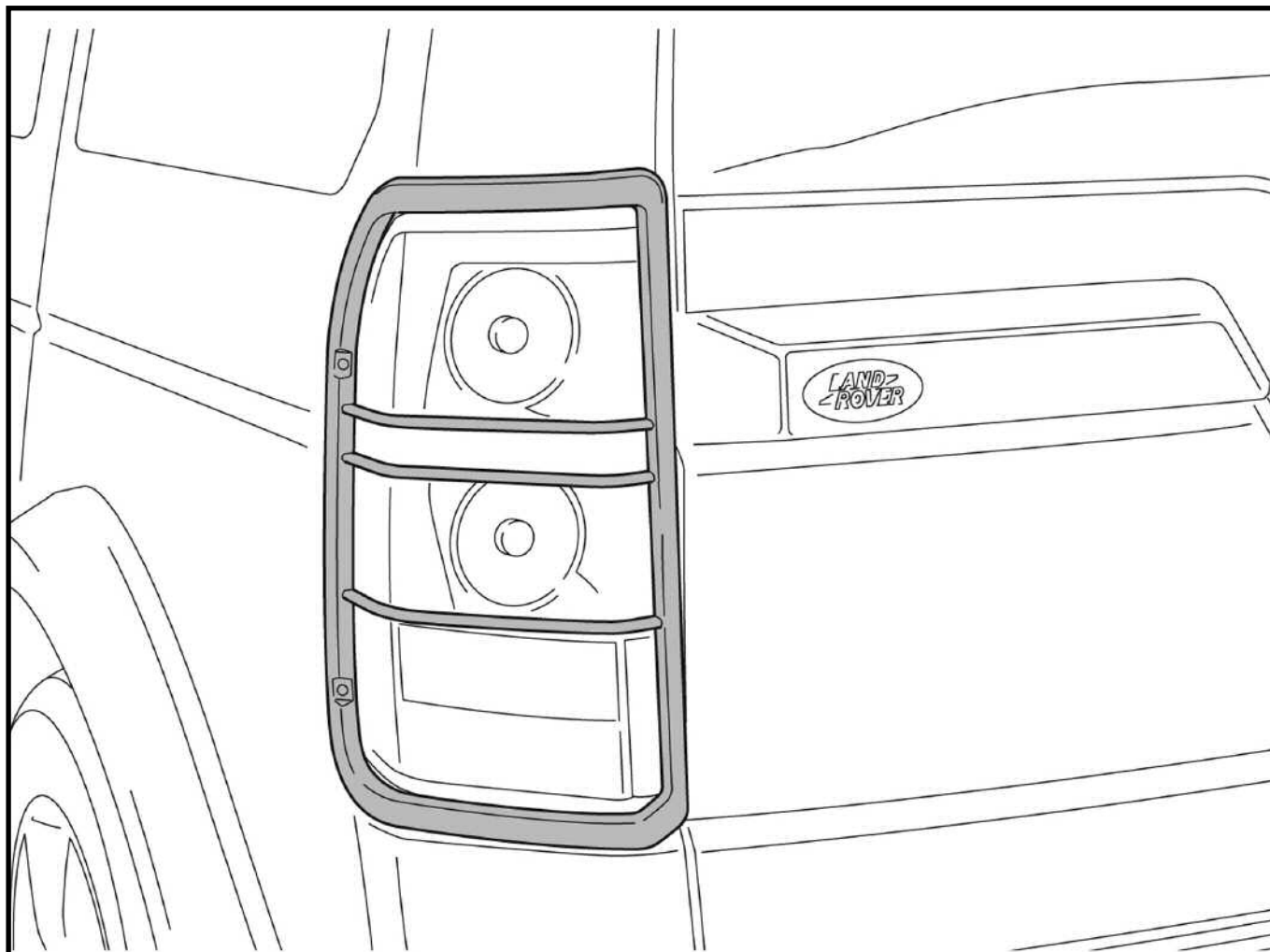


FITTING INSTRUCTIONS

> Discovery 3



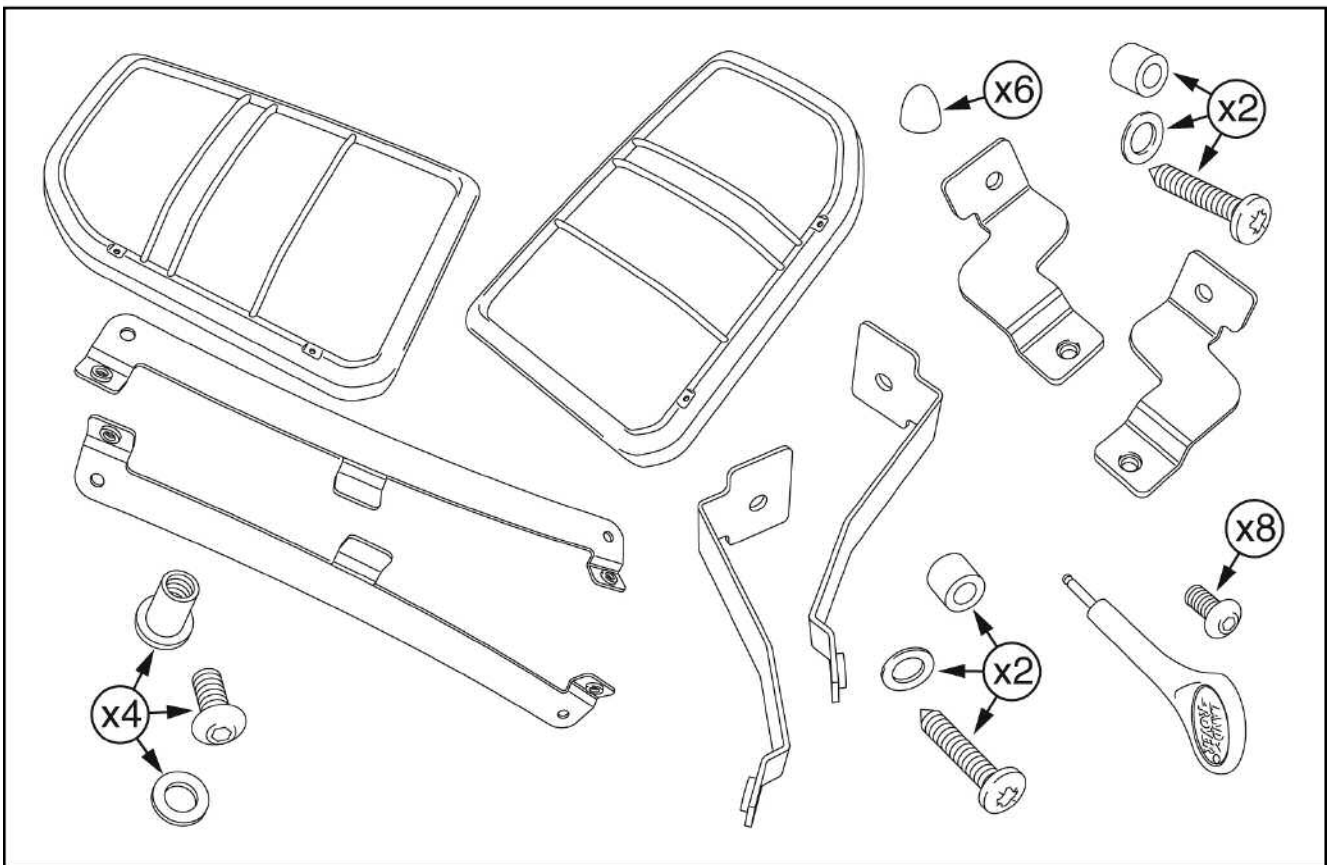
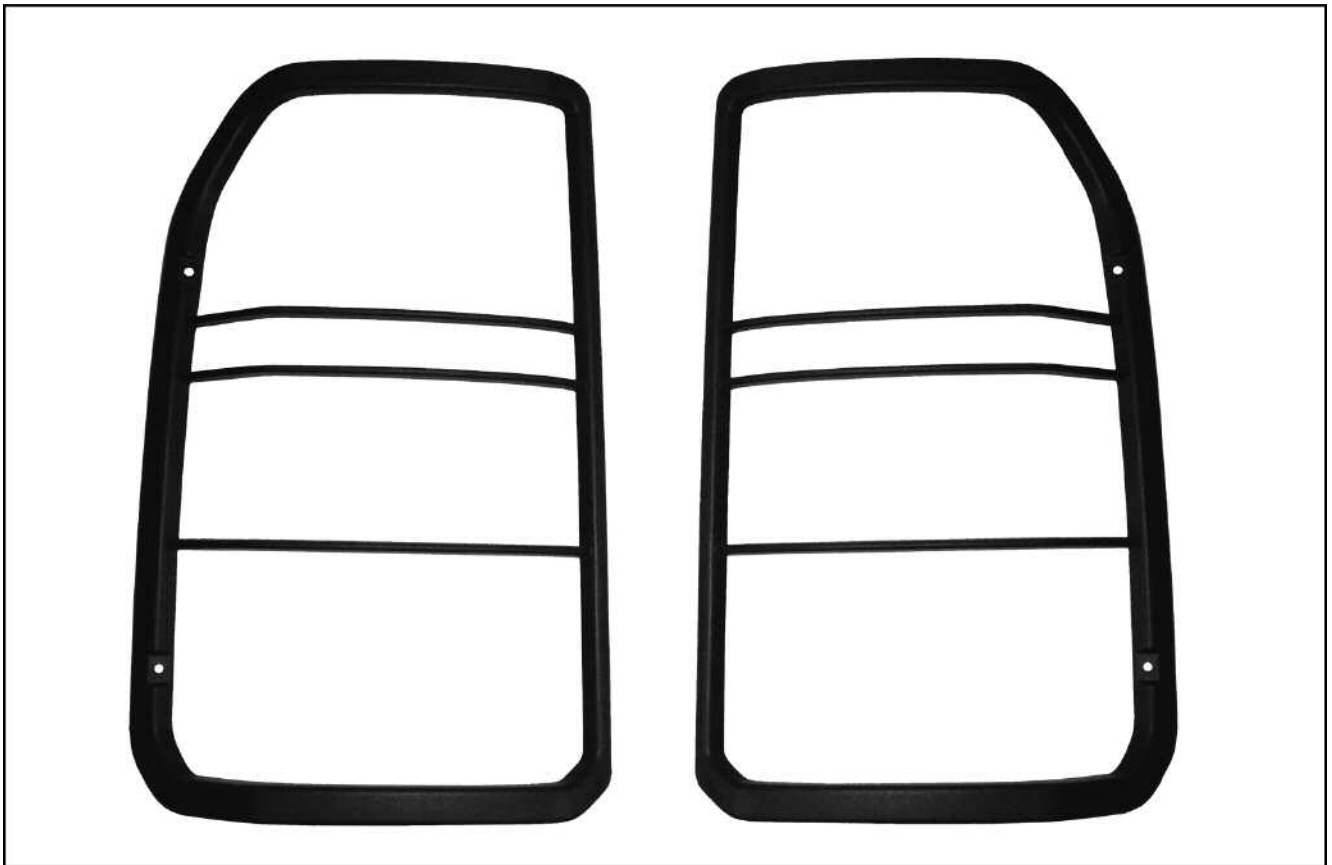
Rear Lamp Guards

BRITPART

The quality parts for Land Rovers

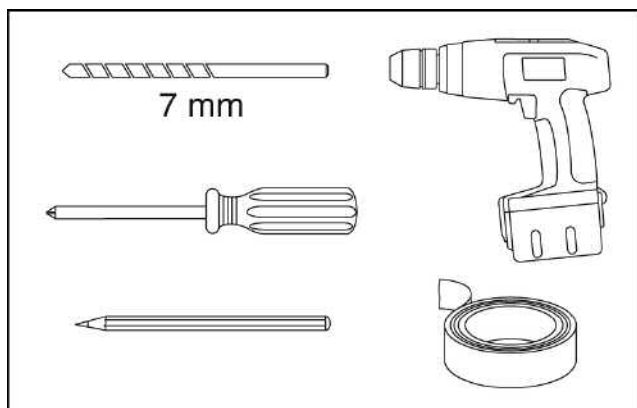
Fitting Instructions

Discovery 3 - Rear Lamp Guards

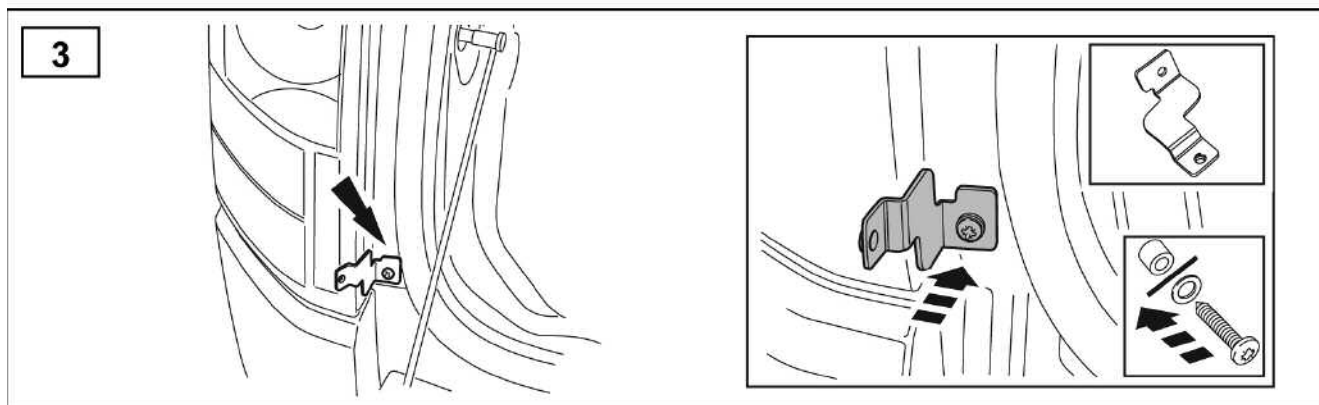
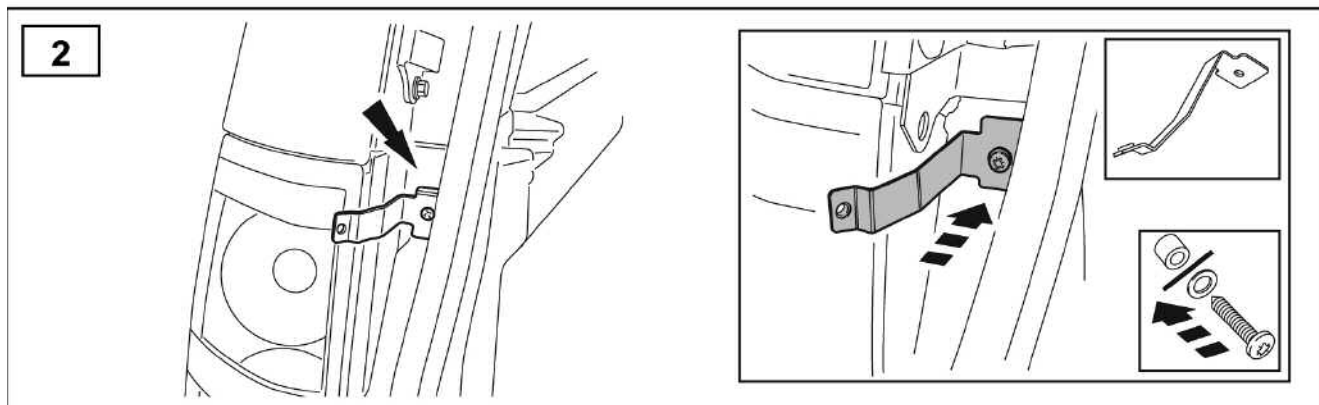
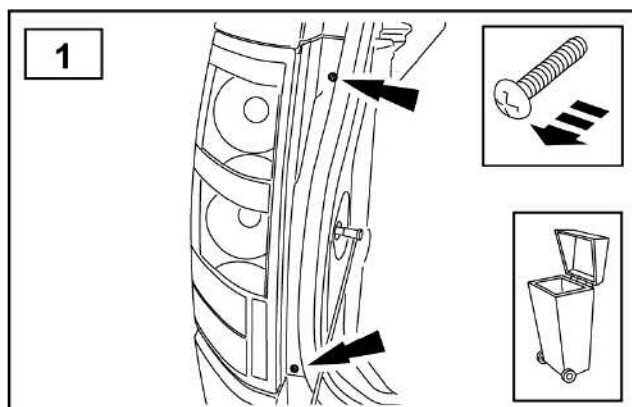


Fitting Instructions

Discovery 3 - Rear Lamp Guards

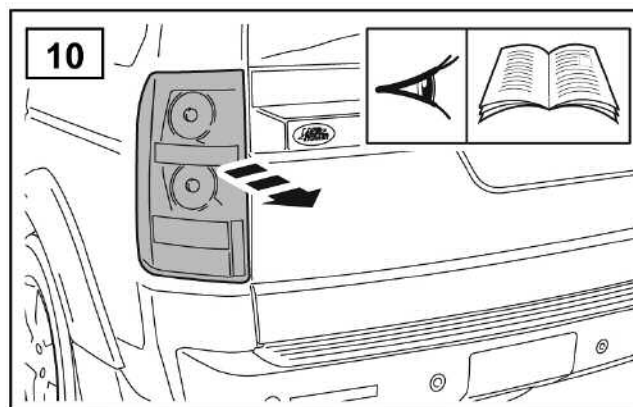
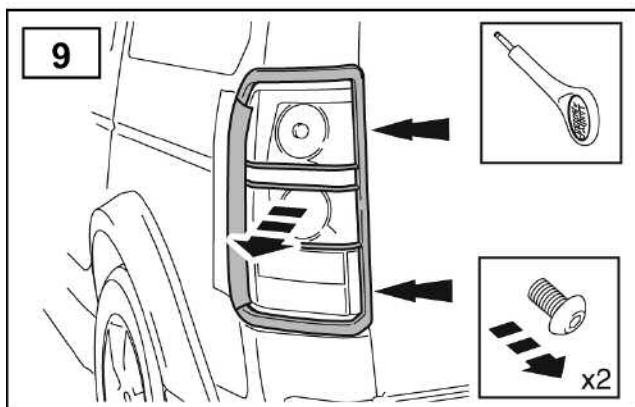
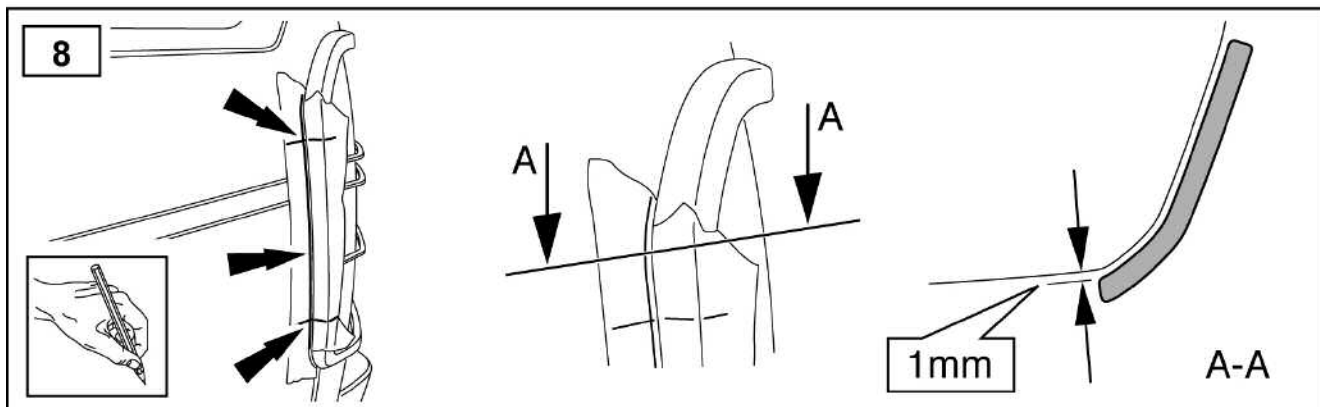
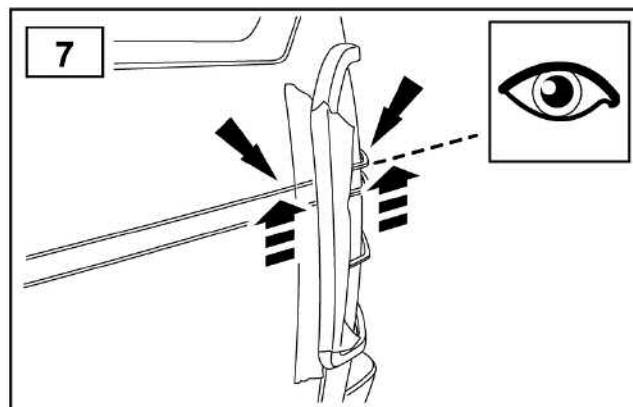
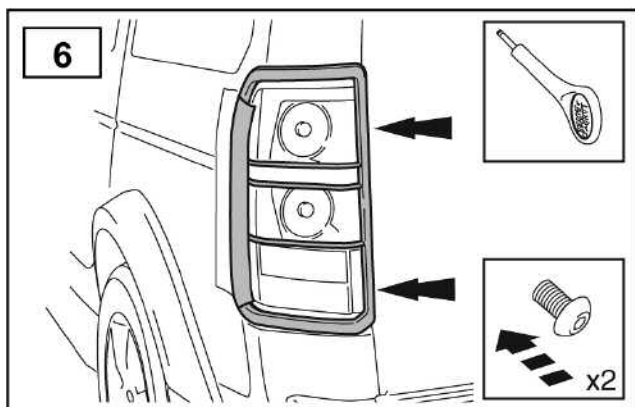
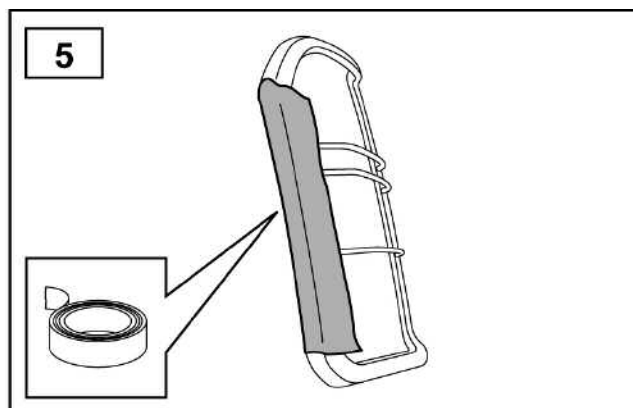
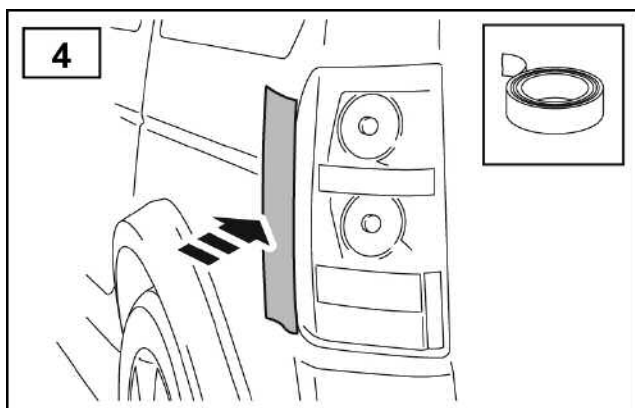


The following instructions are valid for both sides of the vehicle.



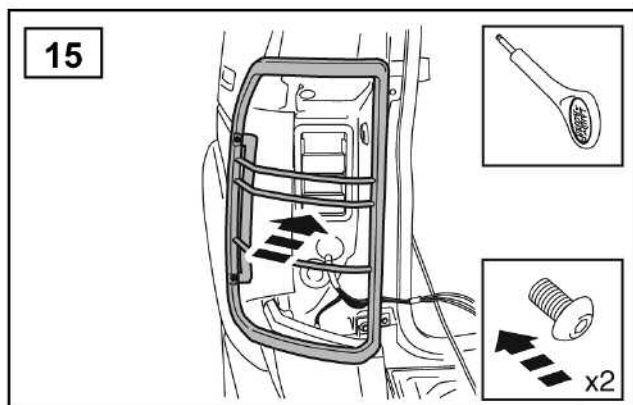
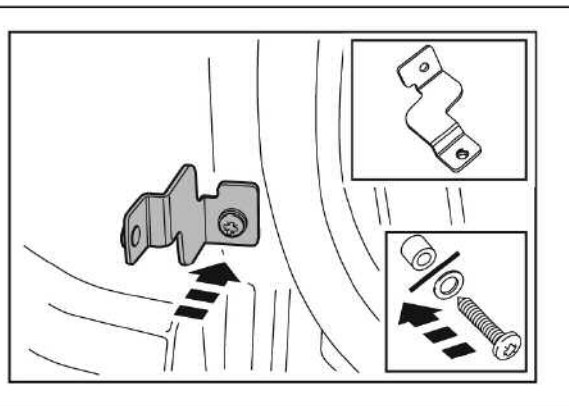
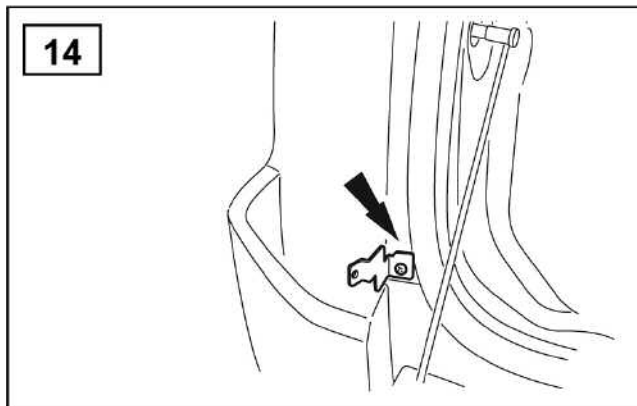
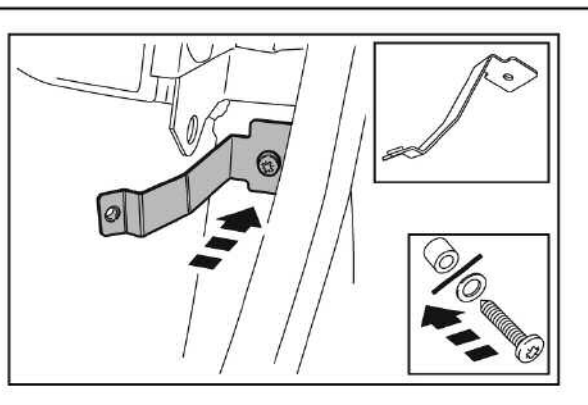
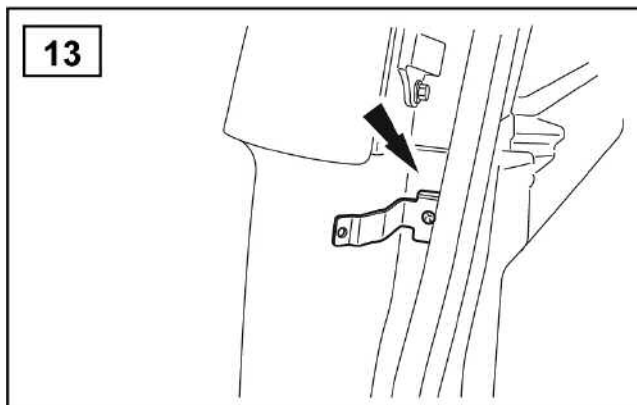
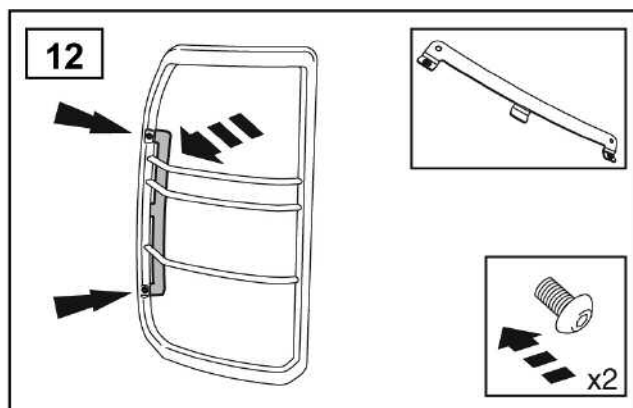
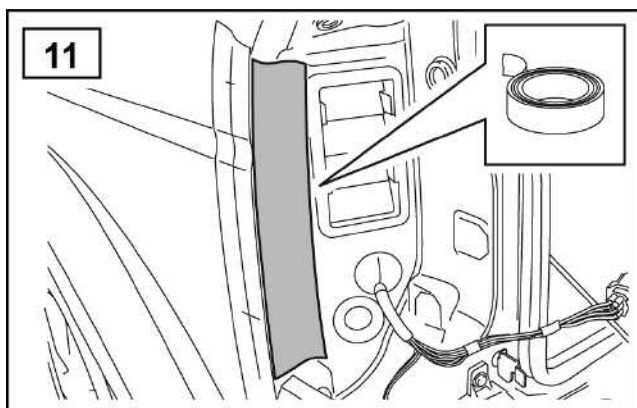
Fitting Instructions

Discovery 3 - Rear Lamp Guards



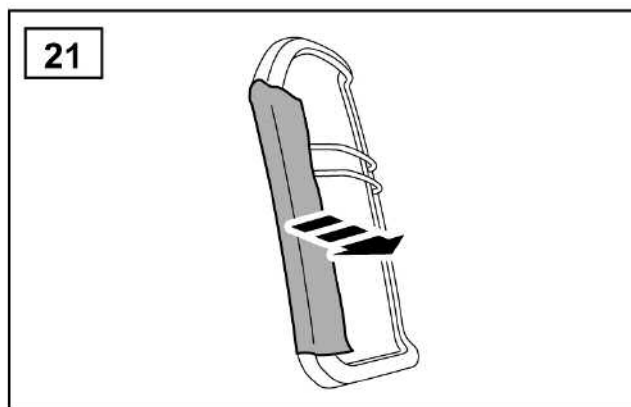
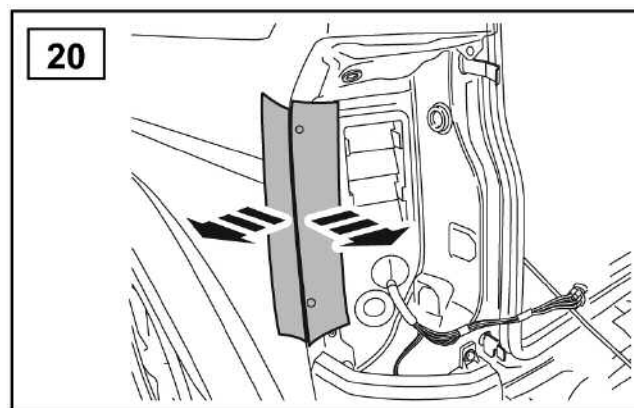
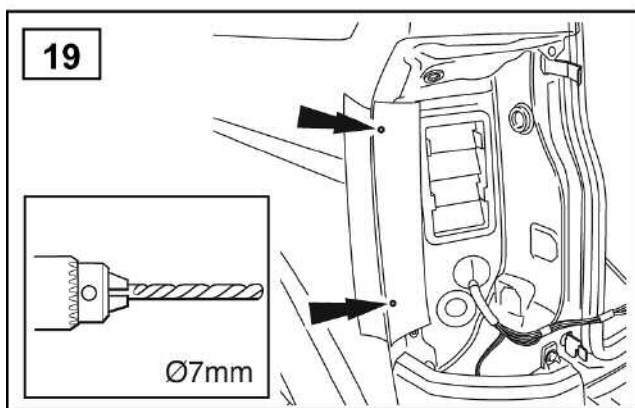
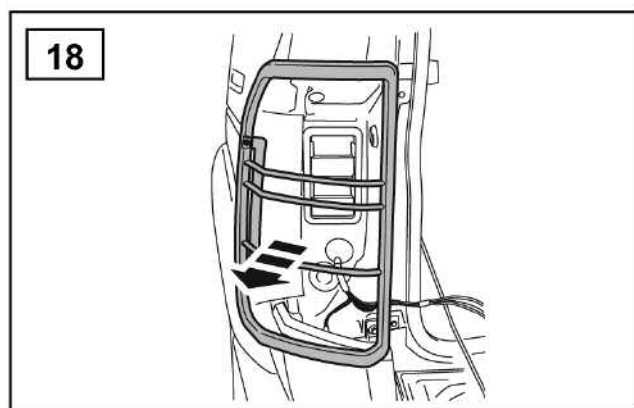
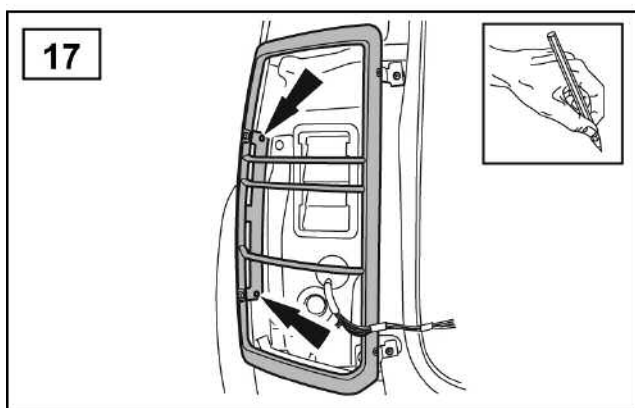
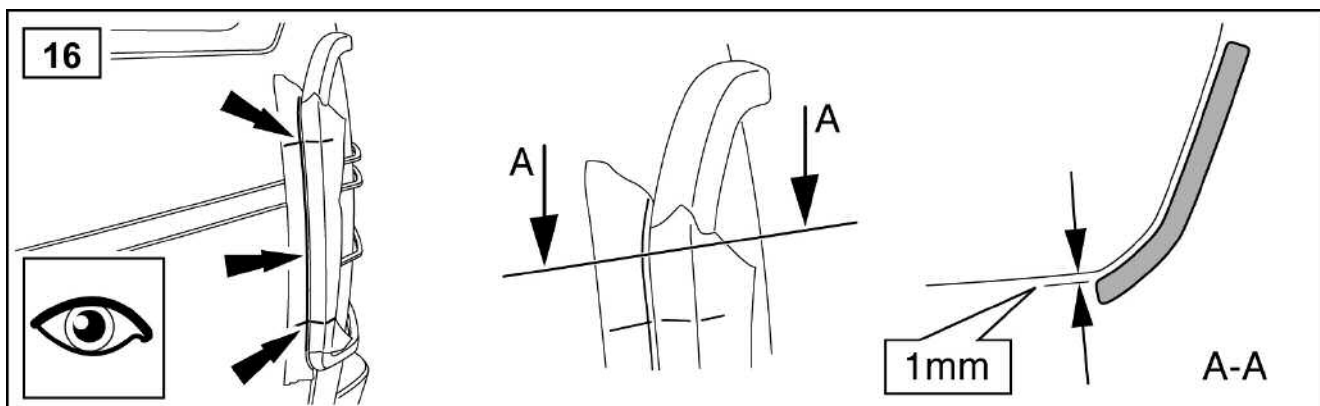
Fitting Instructions

Discovery 3 - Rear Lamp Guards



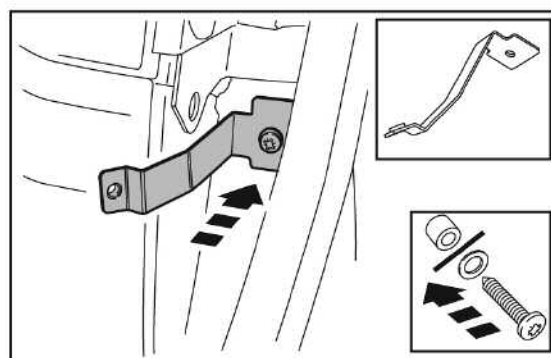
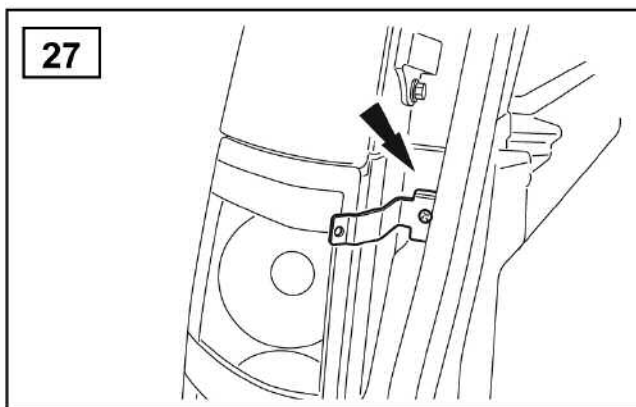
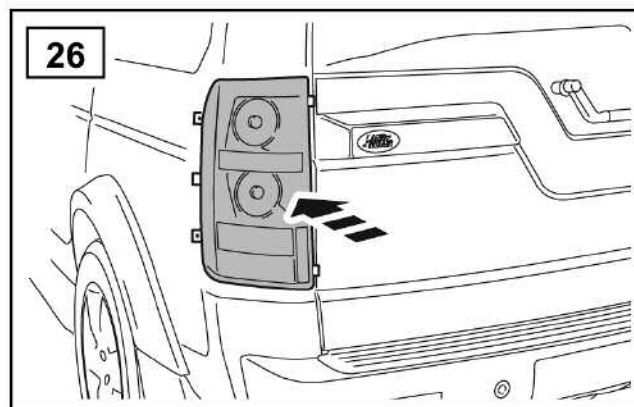
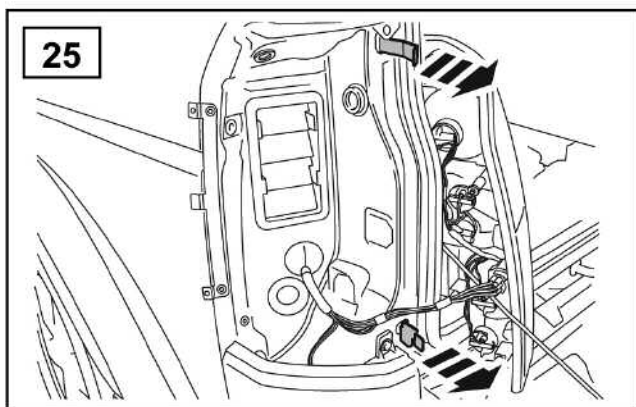
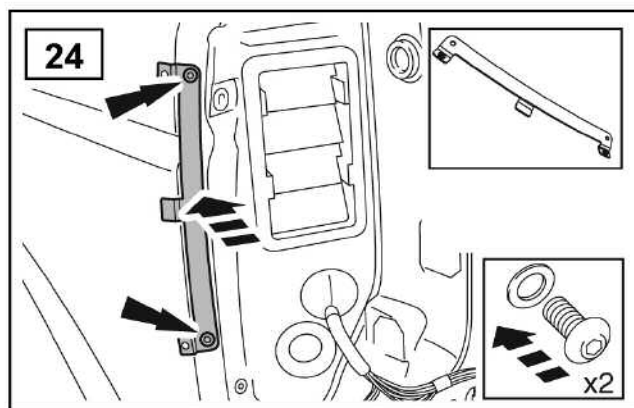
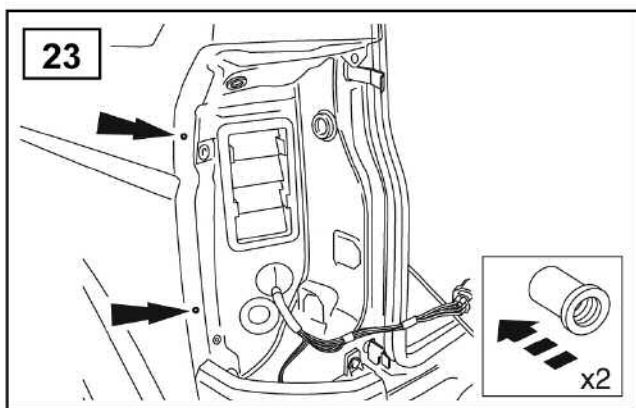
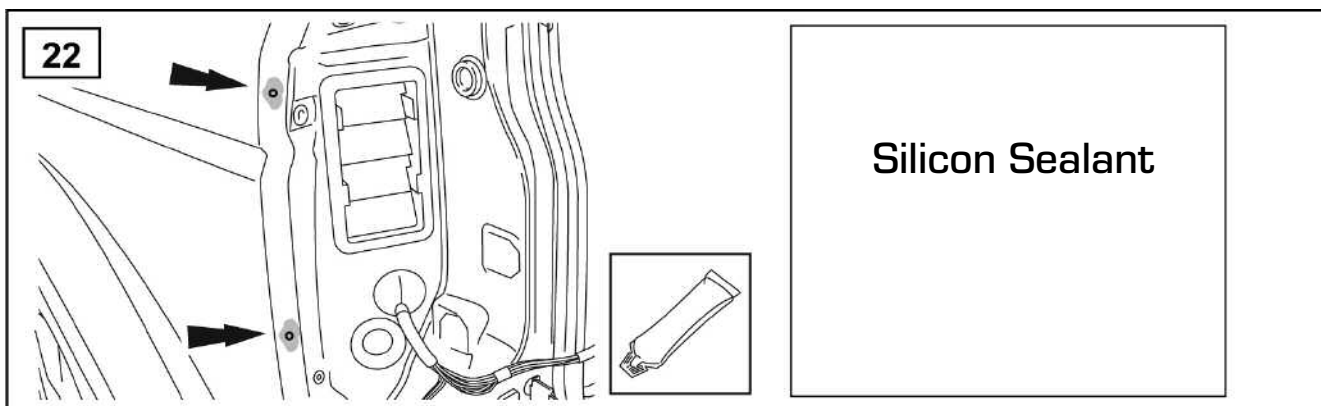
Fitting Instructions

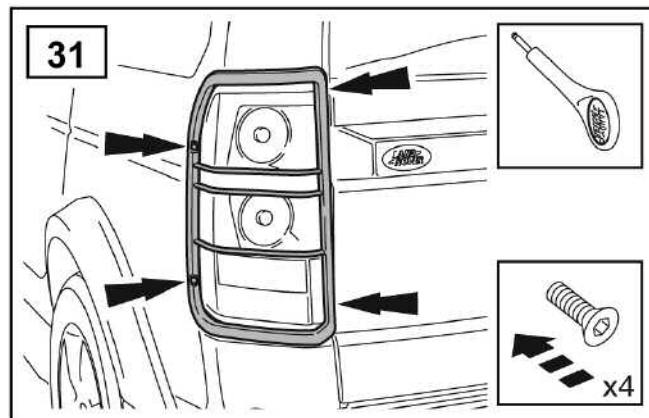
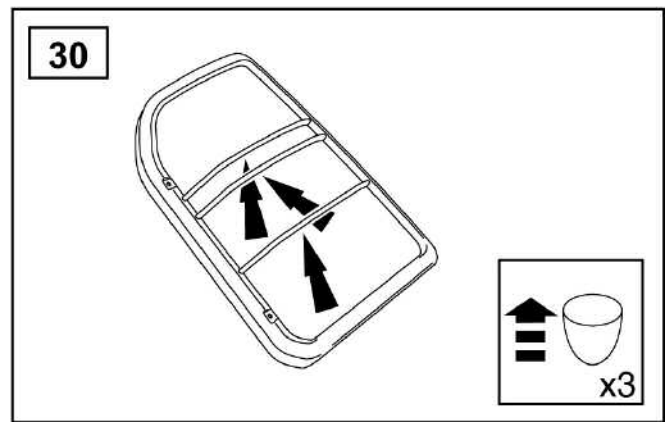
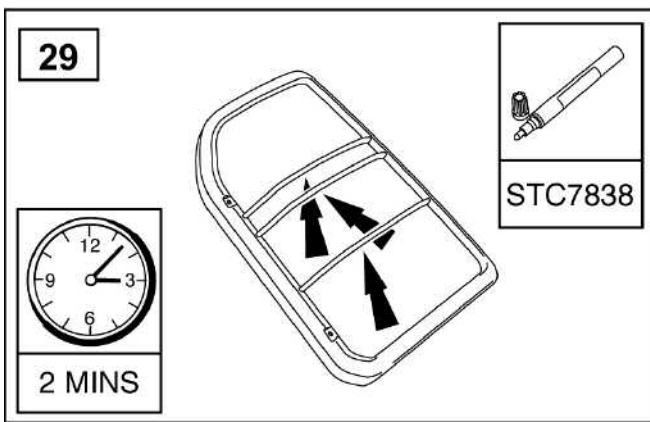
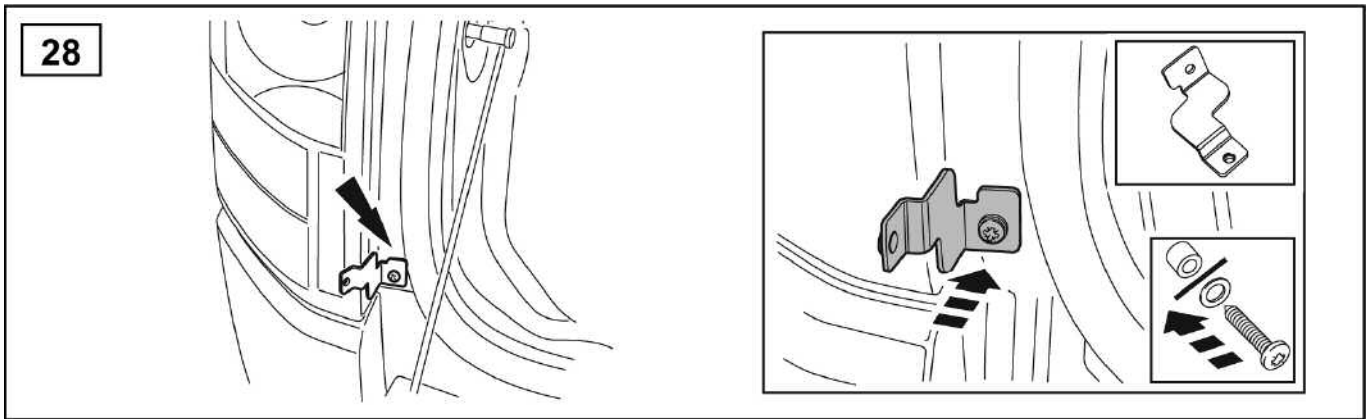
Discovery 3 - Rear Lamp Guards



Fitting Instructions

Discovery 3 - Rear Lamp Guards





WARNING

Accessories which are not properly fitted can be dangerous.

Read the instructions carefully prior to fitting.

Whilst fitting, comply with the instructions at all times.